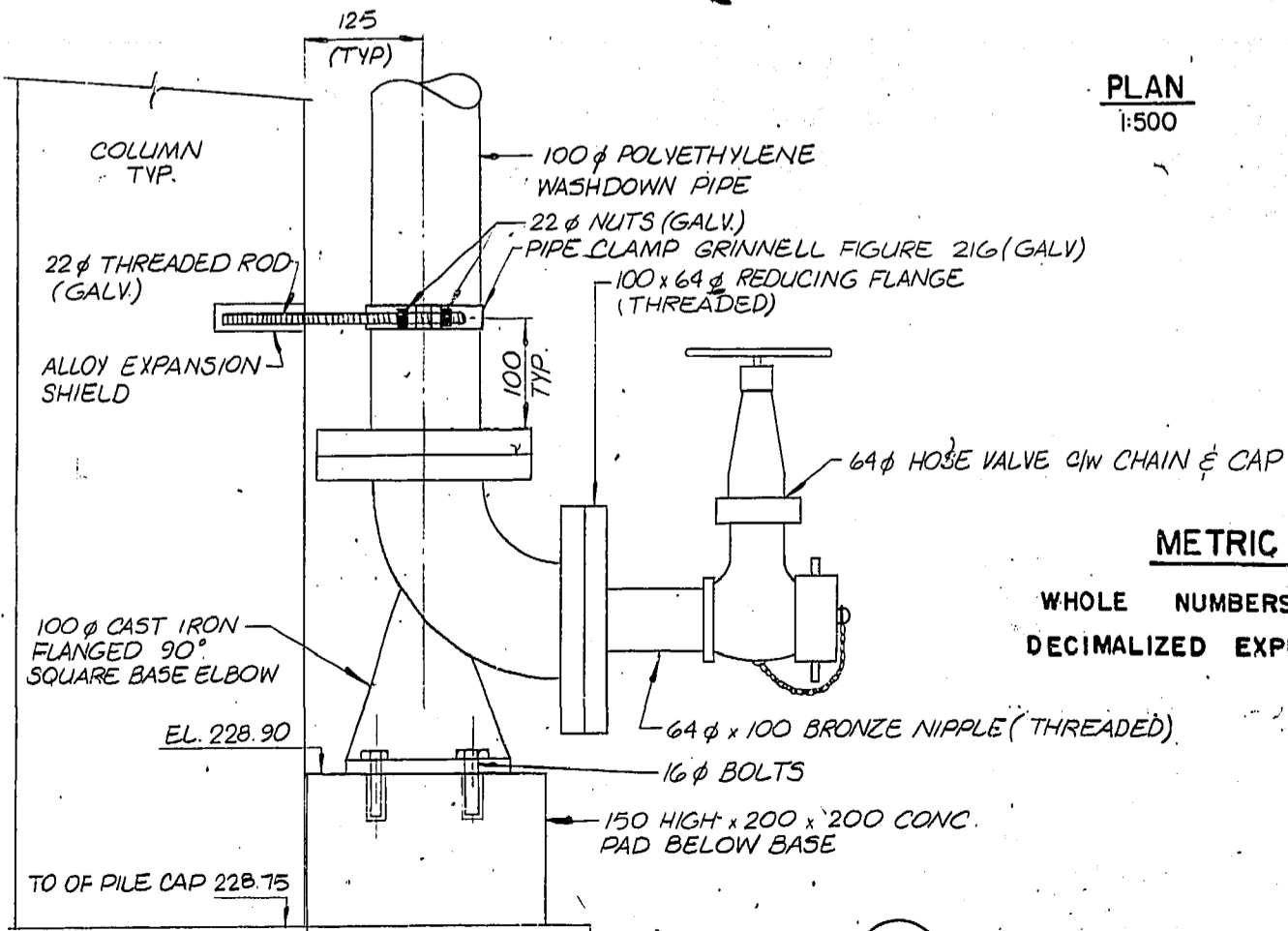


PLAN
1:500

DETAIL B
1:10



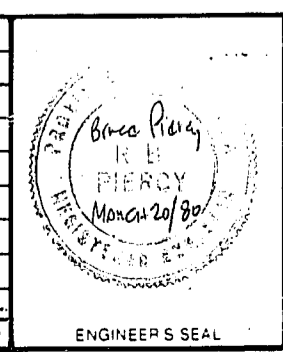
DETAIL A
1:5

METRIC NOTES
WHOLE NUMBERS IND. MILLIMETRES
DECIMALIZED EXPRESSIONS IND. METRES

RECORD DRAWING

MICROFILMED JUN 1988

NO	REVISIONS	DATE	APP
2	RECORD DRAWING	DEC 11/91	EEL
1	CONST. RECORD CHANGES	AUG 10/81	EEL



Underwood McLellan Ltd. Consulting Engineers and Planners	
DESIGNED BY I. McK.	DRAWN BY J.M.L.
CHECKED BY B.P.	DATE MARCH 20, 1980
APPROVED BY	DATE 20/3/80

THE CITY OF WINNIPEG
WORKS & OPERATIONS DEPARTMENT
WATERWORKS, WASTE & DISPOSAL DIVISION

WILKES AVENUE RESERVOIR RECONSTRUCTION
WASHDOWN PIPING PLAN AND MISCELLANEOUS DETAILS

RELEASED FOR CONSTRUCTION: *Ron Gately* DATE: 20/3/80

SCALE: AS NOTED

DRAWING NO: **WIL-36**